

# DID YOU KNOW?



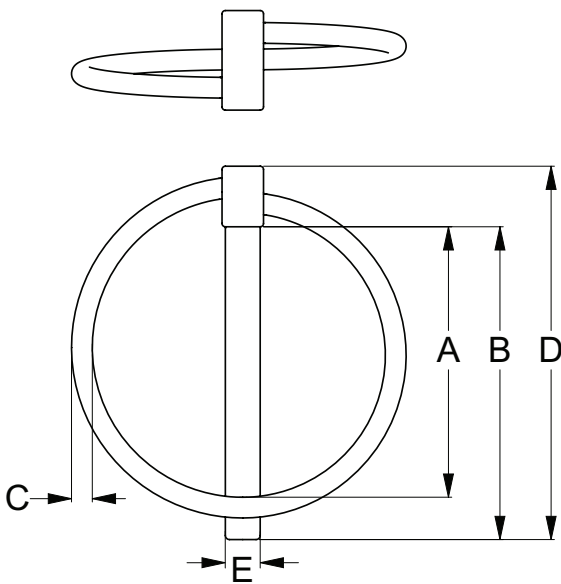
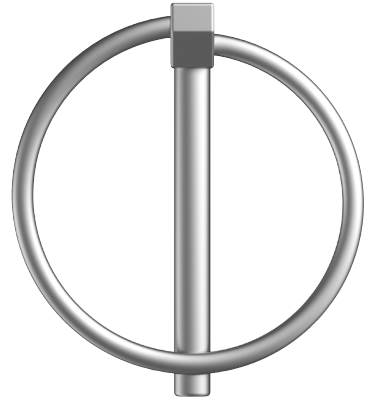
about our... **Linch Pin - Zinc Yellow Passivate**

A fastener for quick connecting and disconnecting of parts to an axle or pin.

## LINCH PIN ZINC YELLOW PASSIVATE / HEC / MILD STEEL

Part	A (mm)	B (mm)	C (mm)	D (mm)	E (mm)	Pack Qty
QPLMSYM045036	32.0 - 35.0	36	2.5	44.0 - 45.0	4.5	25
QPLMSYM060045	39.0 - 41.0	45	3.0	53.0 - 55.0	6.0	25
QPLMSYM080045	41.0 - 42.0	45	3.0	55.0 - 57.0	8.0	25
QPLMSYM110045	42.0 - 43.0	45	3.5	56.0 - 58.0	11.0	25
QPLMSYM110070	66.0 - 67.0	70	3.5	78.0 - 80.0	11.0	25

Note: Dimensions are a guide only



### Application

Linch pins are specifically designed to retain a wheel or other rotating device on its axle. Often used to attach tractor implements, secure trailer couplers, camper trailers, tray backs, towing, mining, haulage equipment, where quick connecting/disconnecting between mating parts is required.

Bolt Tension | Anti-Vibration | Product Reliability | Traceability

**QUALITY FASTENERS SINCE 1935**

